

FIBRE OPTIC PASSIVE COMPONENTS

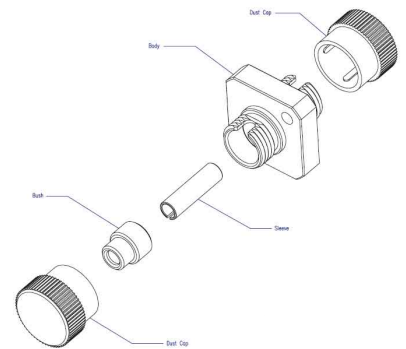
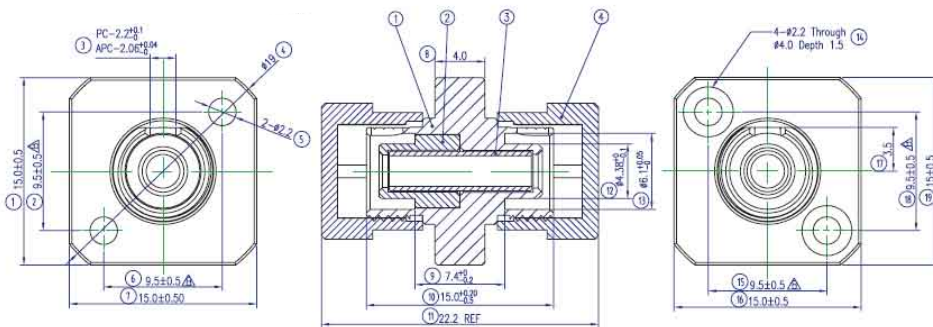
ADAPTERS

FC ADAPTER

An optical fiber adapter or uniter is used to mate two connectors together, usually mounted in a distribution panel or wall box. In most cases it is the critical part of the system that aligns the ferrule part of the connectors keeping the fibers in perfect alignment.

Generally there are two types of alignment sleeve within an adapter, phosphor bronze for multimode or zirconia (ceramic) for single mode. The FC connector and adapter set are mainly used for singlemode applications where precision is required.

With its simple to use locking thread mechanism preventing accidental disconnection, this provides a very secure connection.



Ordering information

Description	Part No.
FC SM Simplex Adaptor, Zirconia Sleeve Square type	ADFCSXSMS
FC SM Simplex Adaptor, Zirconia Sleeve D type	ADFCSXSM D
FC SM Simplex Adaptor, Zirconia Sleeve Around type	ADFCSXSM R
FC MM Simplex Adaptor, PB Sleeve Square type	ADFCSXMMS
FC MM Simplex Adaptor, PB Sleeve D type	ADFCSXMMD
FC MM Simplex Adaptor, PB Sleeve Around type	ADFCSXMMR