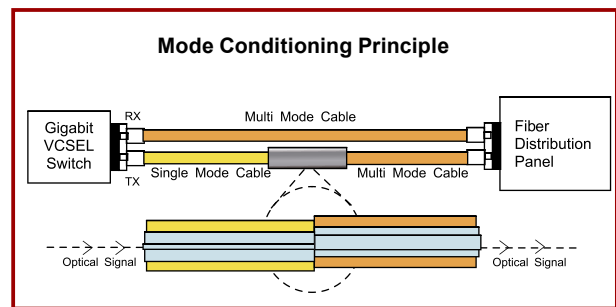
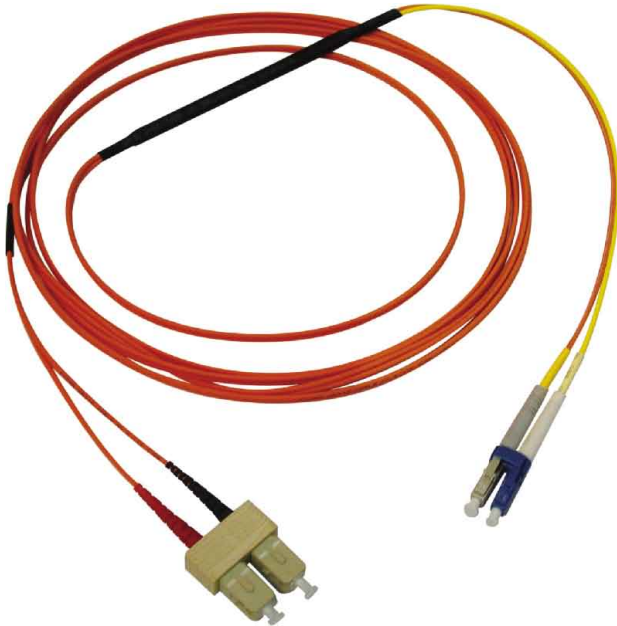


FIBRE OPTIC ASSEMBLIES

SPECIFIC OPTIC PATCHCORDS

MODE CONDITIONING PATCHCORDS



SofeTEK mode conditioning patchcords are specifically designed for launching your gigabit signal into the conventional 62.5/125 or 50/125 fiber with very high bandwidth. The SofeTEK mode conditioning patchcords can improve the transmission bandwidth by 3 to 4 times and also greatly reduces modal noise.

Description	62.5/125	50/125
Operating wavelength	1310nm	
Maximum insertion loss	0.5dB	
Coupled power ratio(CPR)	28 to 40dB	12 to 20 dB
Back reflection	S/M channel: 30dB M/M channel: 20dB	
Connector finish	PC or APC	
Sheath colour	Orange (Yellow for SM leg)	

Connectors available	
Types	FC , FC/APC , ST , SC , SC/APC , LC , MT-RJ , MU
Length	2m ± 10mm (Other lengths available to order)
For full information on the SofeTEK connectors used on the SofeTEK patch cords, please contact us for a connector data sheet.	

Product Packaging

Each patch cord is packaged individually and individually identified for traceability, test certification is supplied for each assembly.

Features

- Increased transmission bandwidth by as much as 4 times
- Reduced modal noise
- Easy installation
- Low insertion loss (< 1dB)
- Various connector options

ORDERING INFORMATION

To order optical fiber assemblies the SofeTEK part number follows the following sequence.

